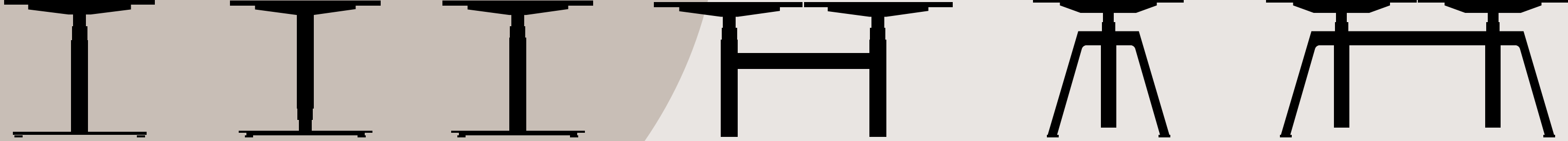
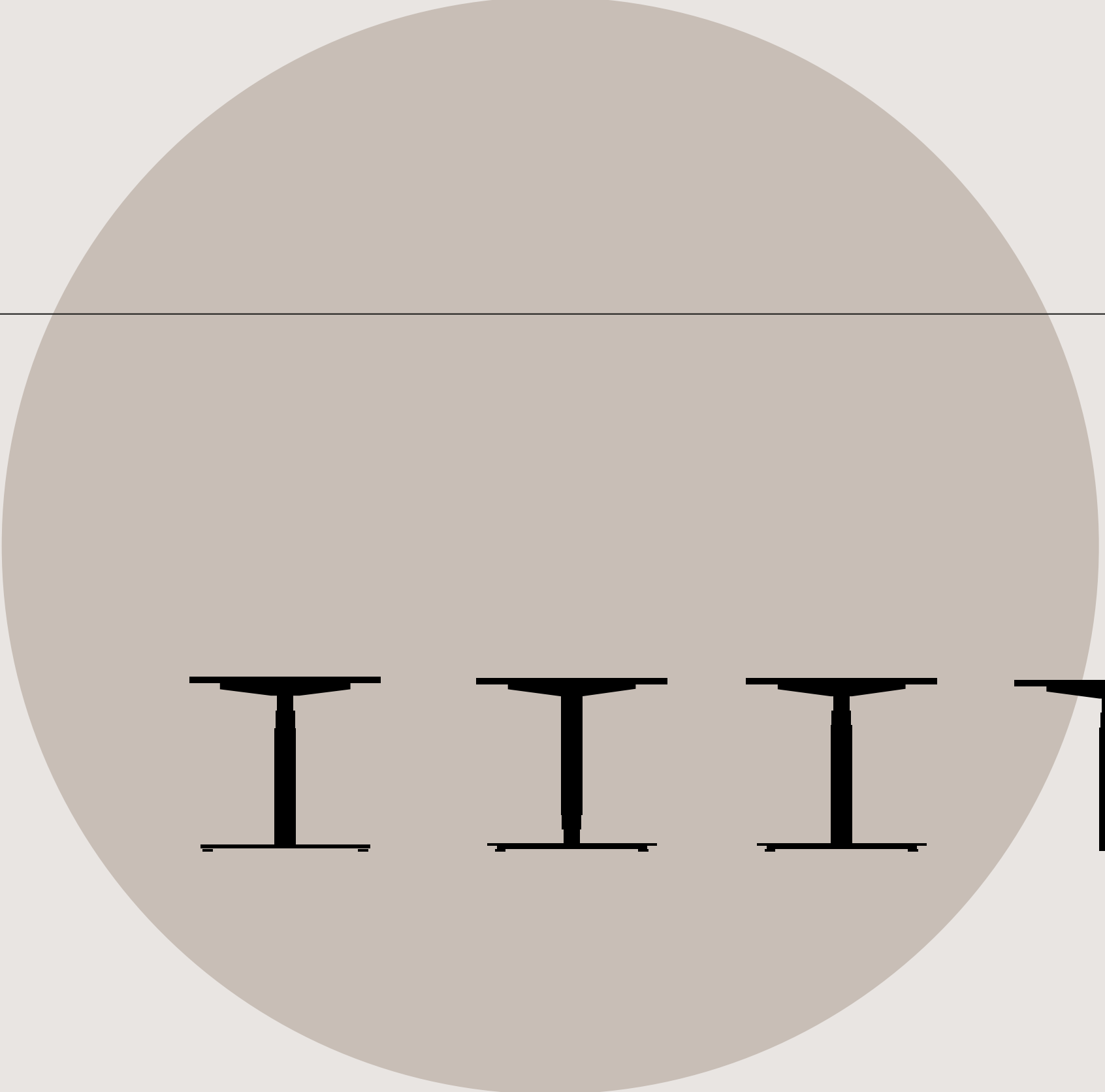
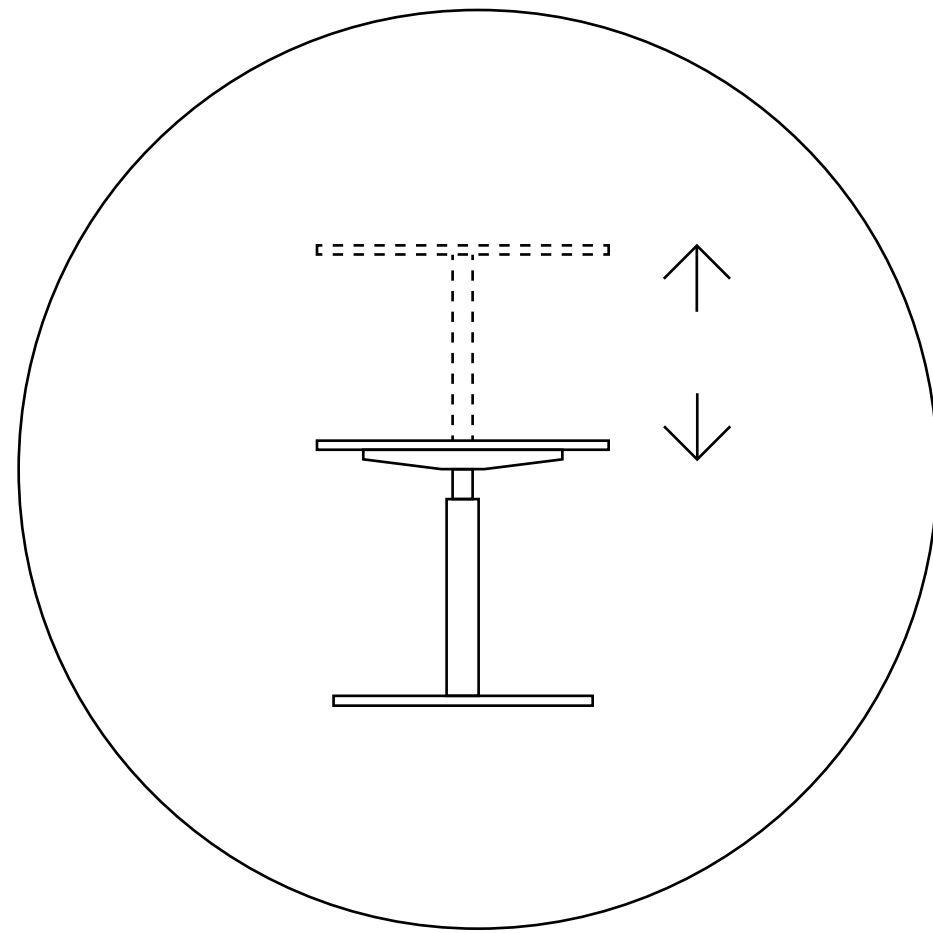


DESKS WITH AN ELECTRICAL HEIGHT ADJUSTMENT

balma





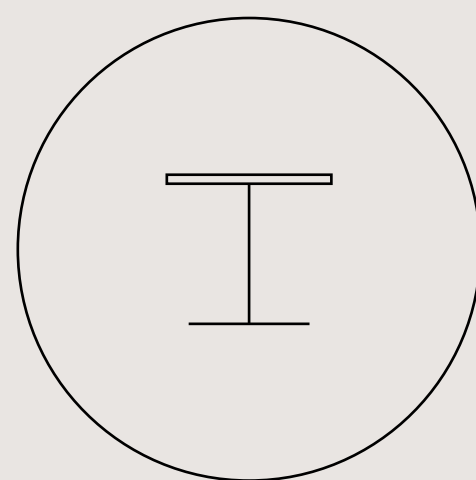
Desks with an electrical height adjustment have become a must-have in modern offices. The possibility to adjust the height of desks allows for dynamic change in the body position during the day, has a positive effect on the muscular and skeletal systems and, as a result, increases the work efficiency performance.



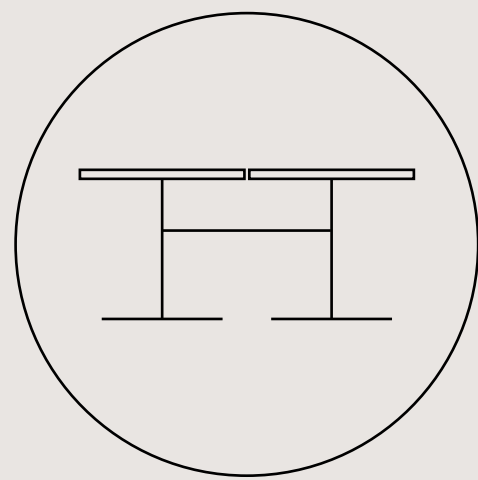
OUR OFFER

We can offer you several solutions based on desks with an electrical height adjustment. They vary in terms of their look and technical details. That, in turn, gives us flexibility to adjust the prices to the expectations as well as budget constraints.

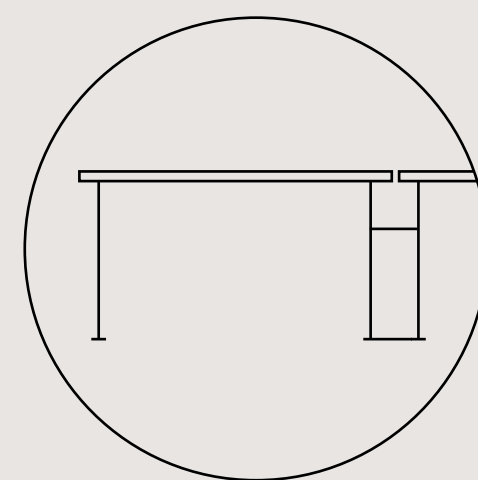




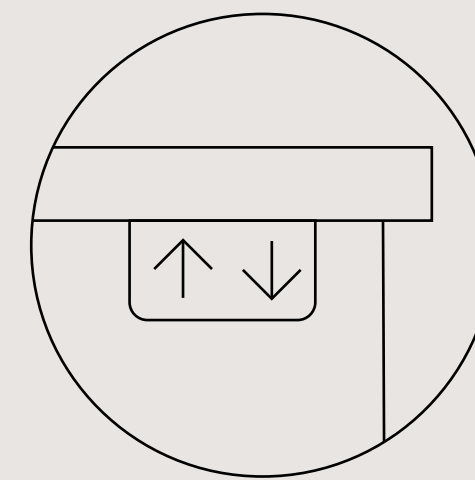
single desks



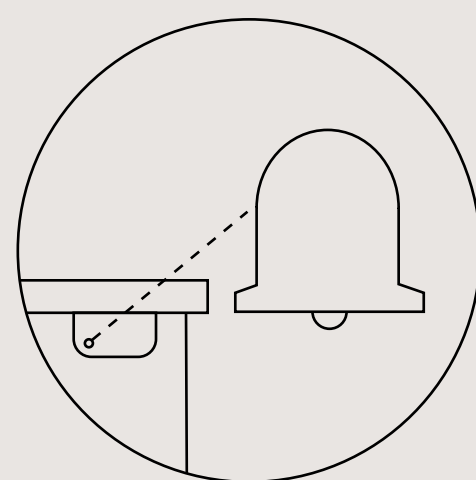
two-person desks



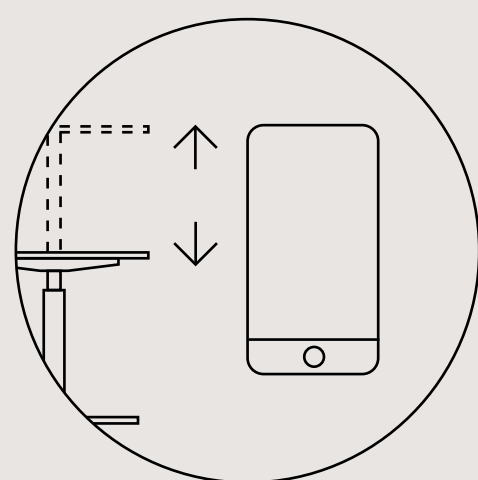
bench desks



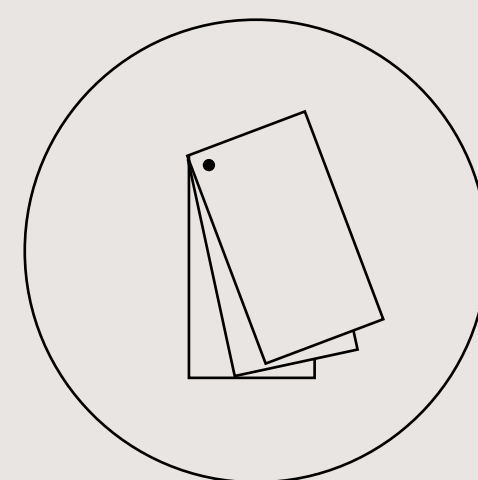
electric height adjustment
with remote control



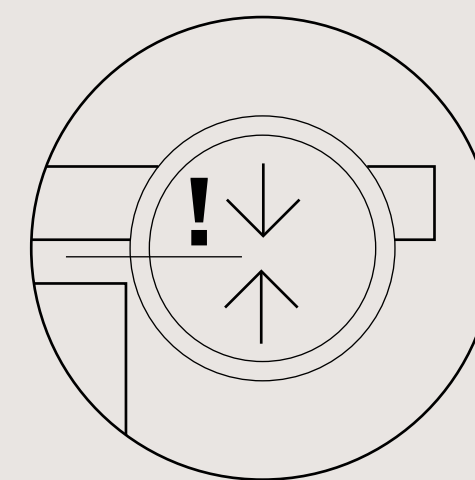
reminder
to change position



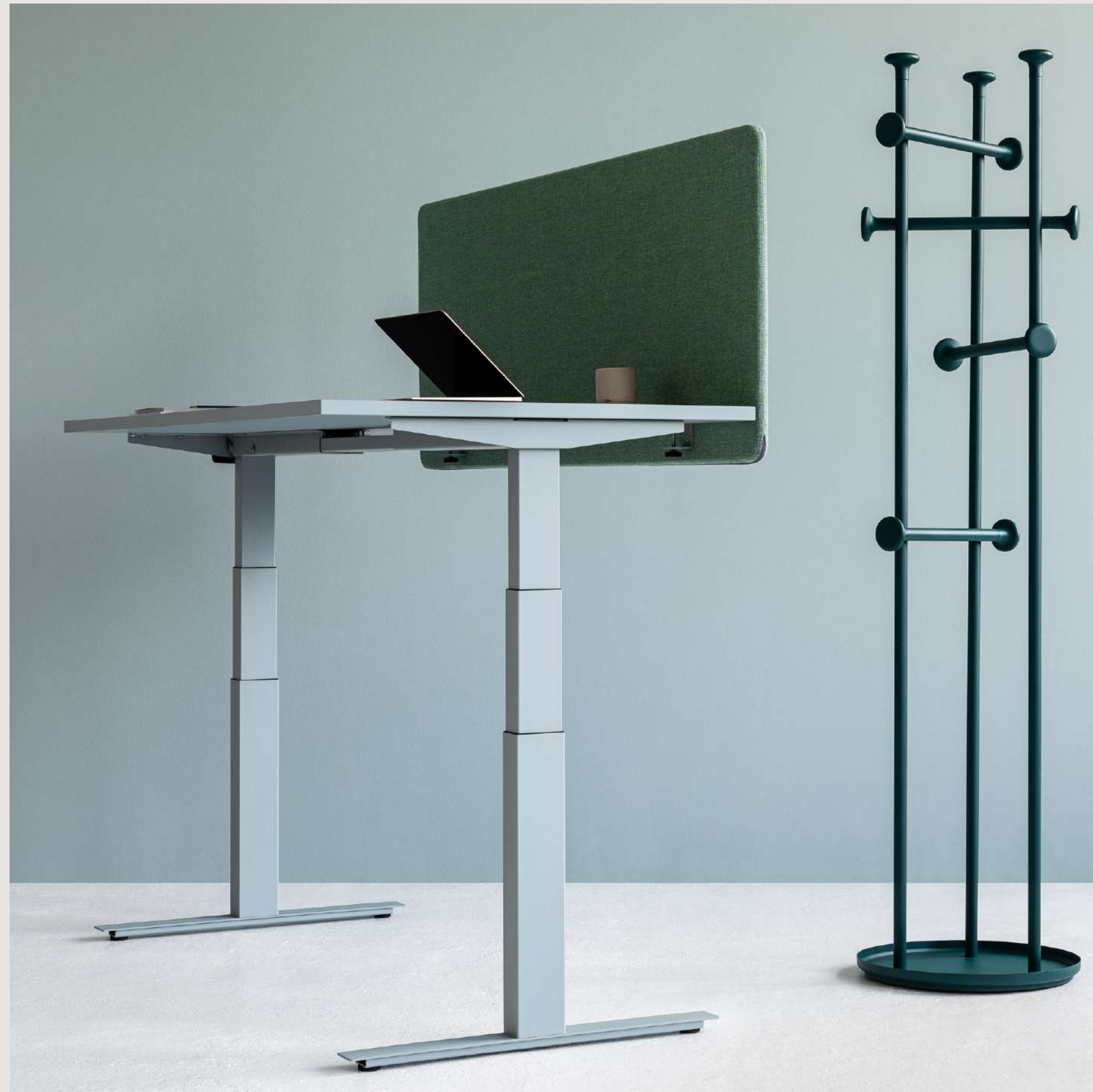
control via bluetooth
using the app



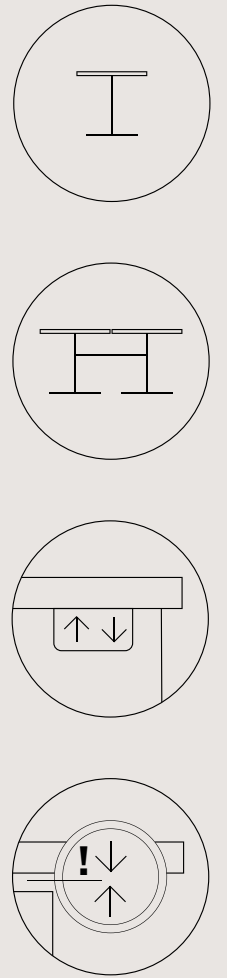
wide range
of finishes



anti-collision system



S4

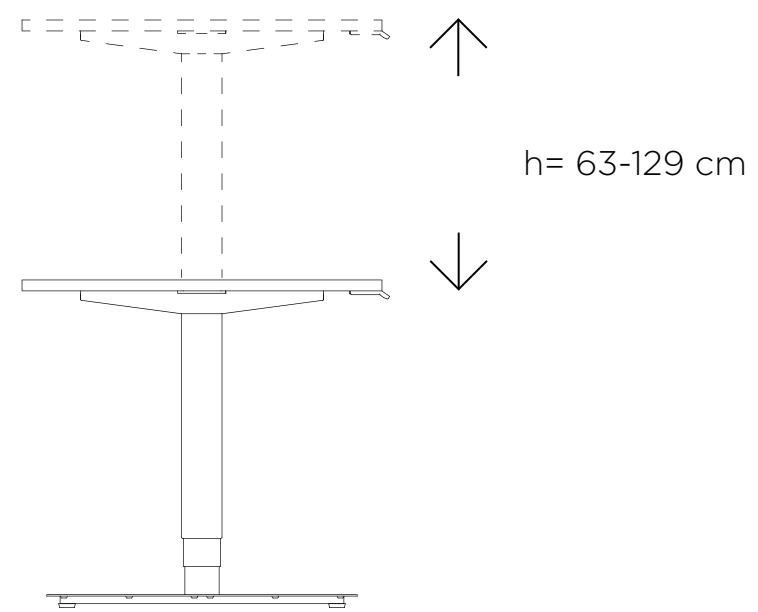


Balma S4 range of desks with an electrical height adjustment is an incredibly durable and lightweight solution. Height adjustment is fast and precise thanks to the twin engines synchronised in the way as to eliminate the uneven loads. The S4 range includes single and double desks, with quick and easy installation reducing labour costs.

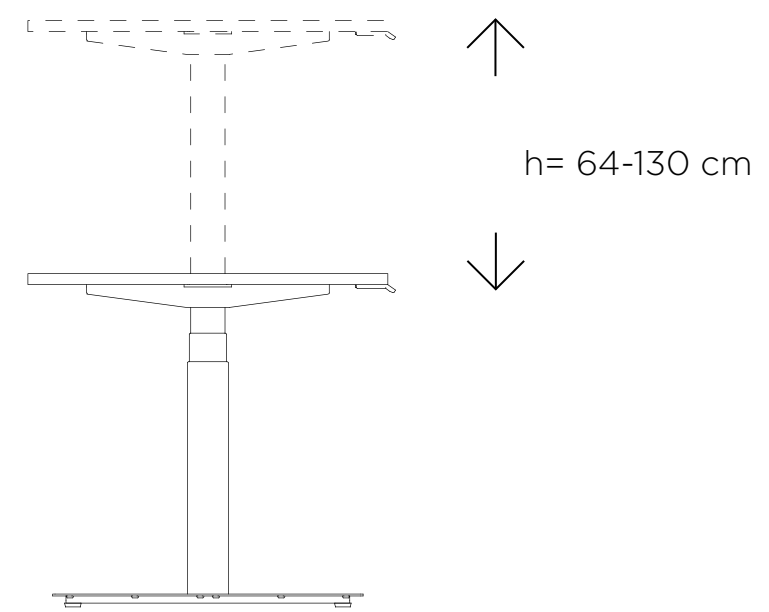
S4

S4 V

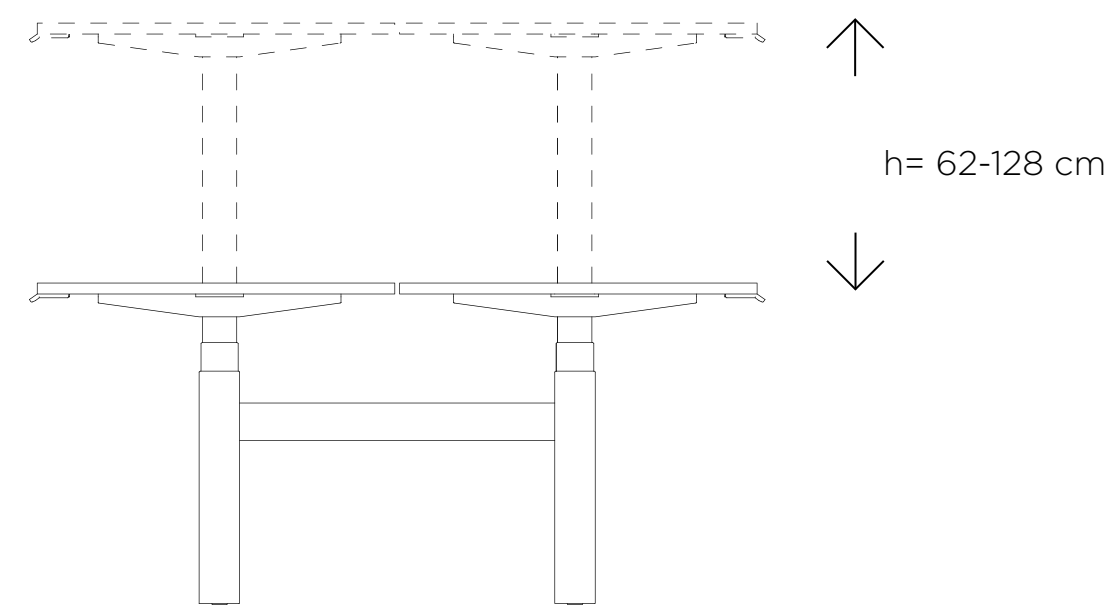
FRAME - lifting column



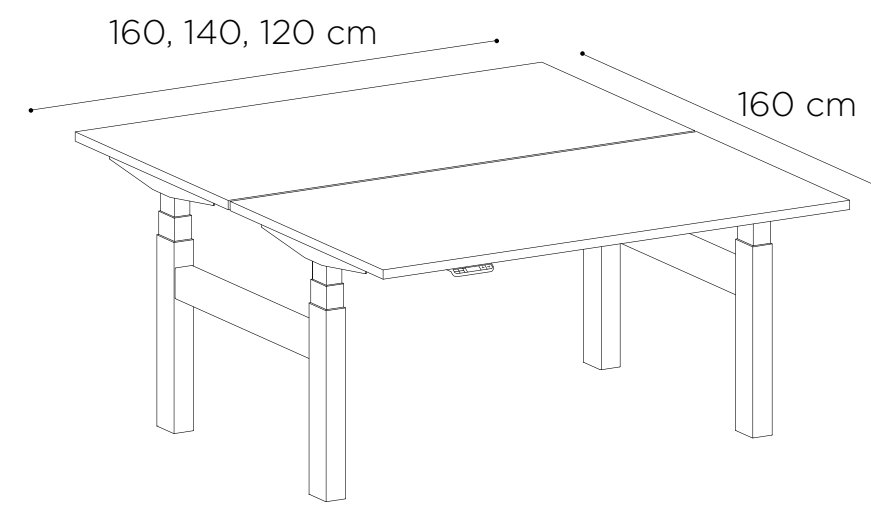
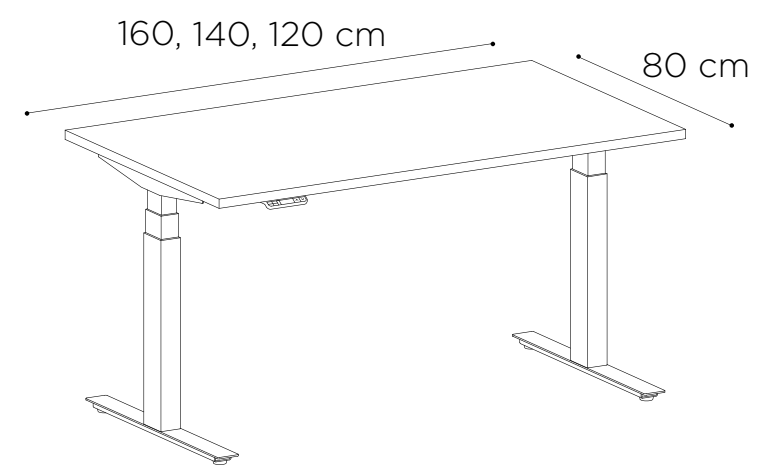
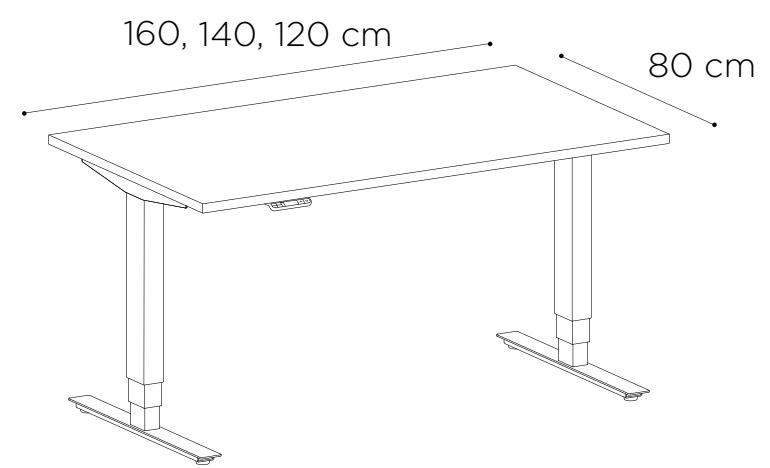
S4 UP



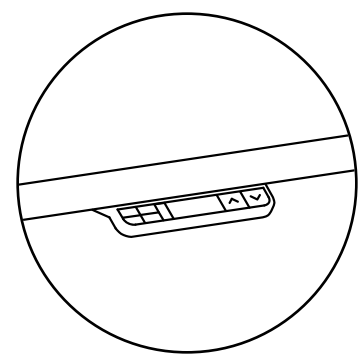
S4 UP 2



DESKTOP



REMOTE CONTROL



- display
- 4 memories of favorite settings

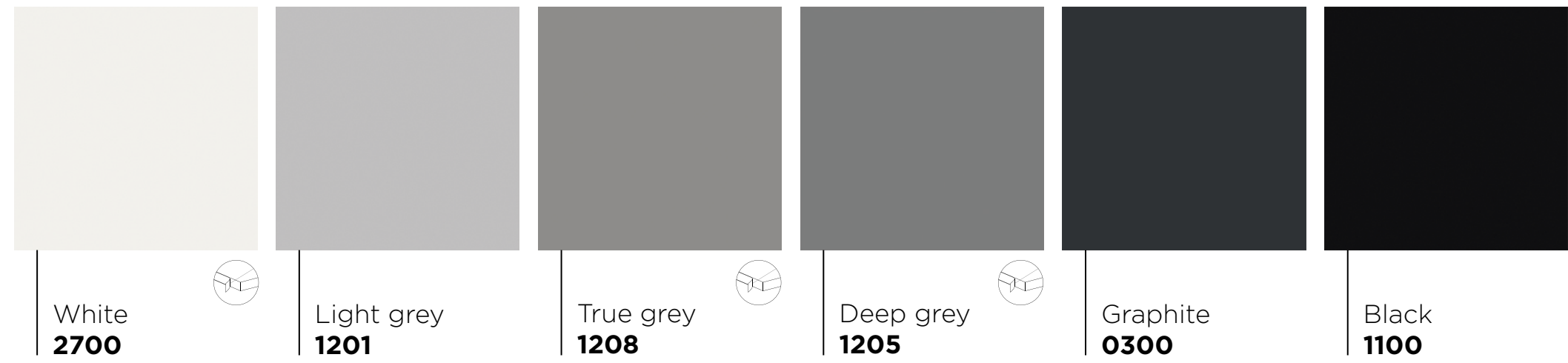
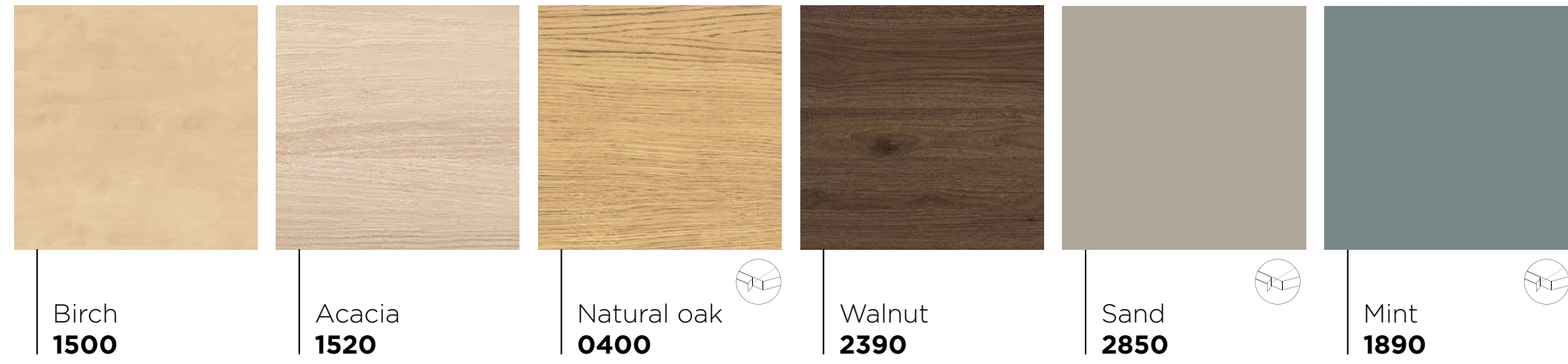


S4

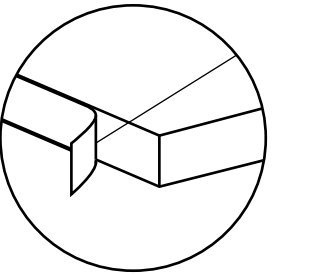
FINISHING



MELAMINE BOARD



METAL FRAME

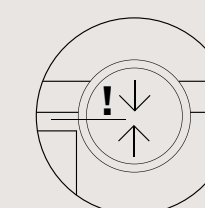
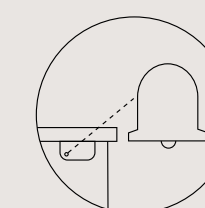
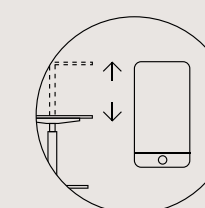
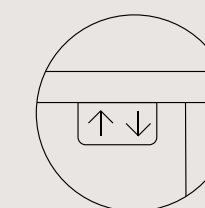
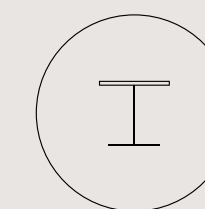


laser edges



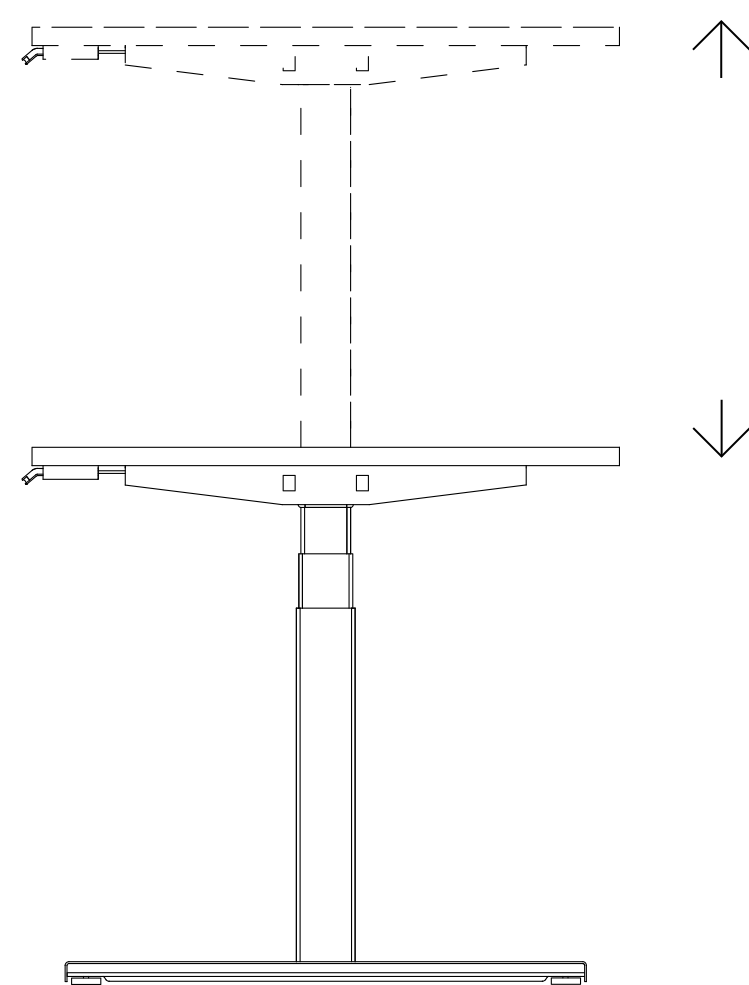
LS1

The LS1 desk is a convenient and economical solution allowing you to create a comfortable workplace. Quiet and smooth height adjustment of the table top enables flexible change of the way of working and adaptation space to the individual needs of users. The assembly of the desk is extremely simple and intuitive, individual elements are mounted with a latch or with a few screws. Quickly and efficiently you can rearrange the space in the office, increasing the comfort and efficiency of work.



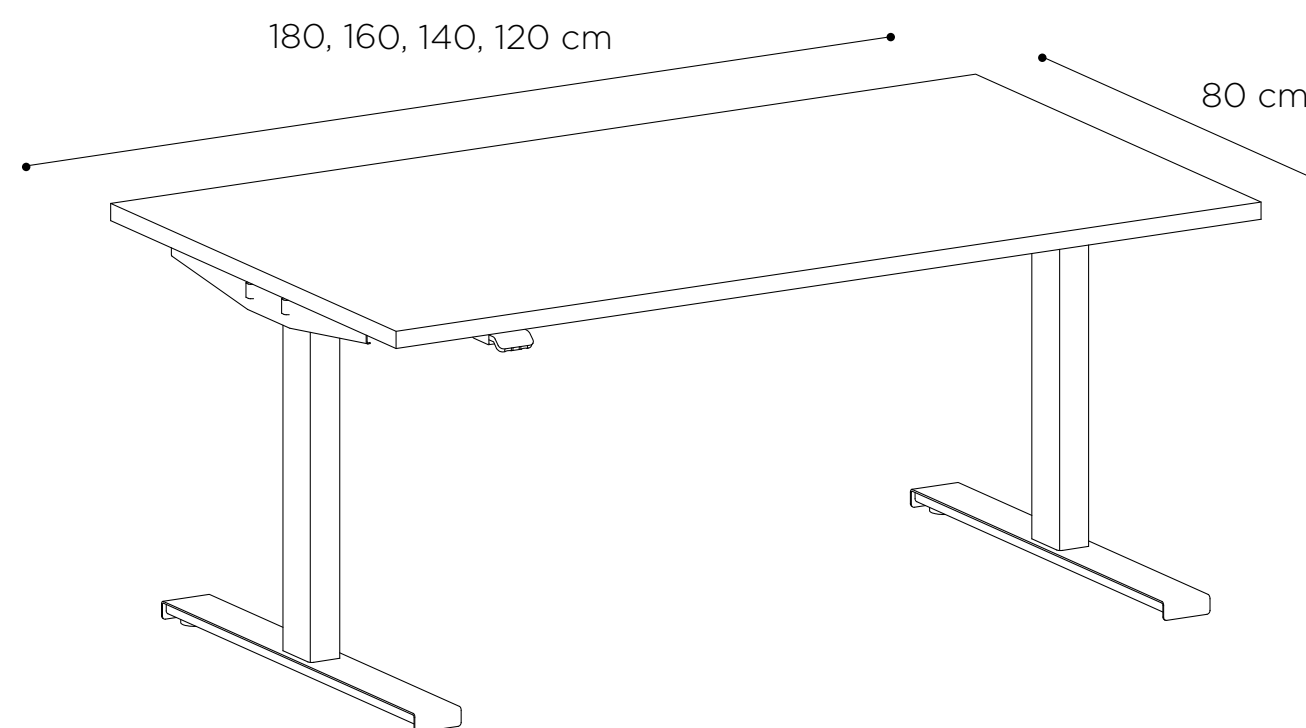
LS1

FRAME - lifting column

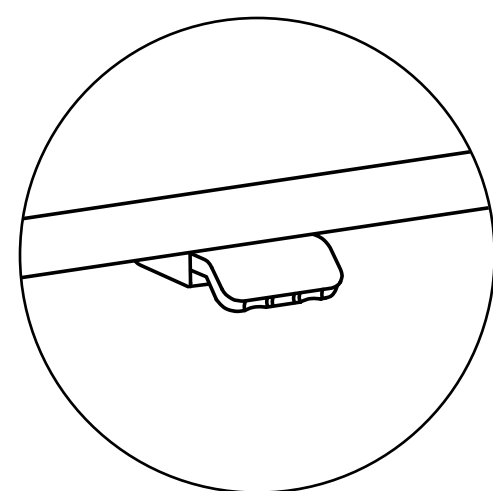


h= 65-130 cm

DESKTOP



REMOTE CONTROL



pilot DPG1M

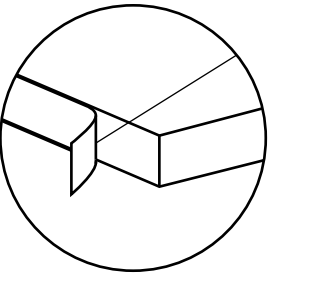
- 2 memories of favorite settings
- reminder to change position
- control via bluetooth using the app Desk Control

pilot DPG1C

- display
- 4 memories of favorite settings
- reminder to change position
- control via bluetooth using the app Desk Control

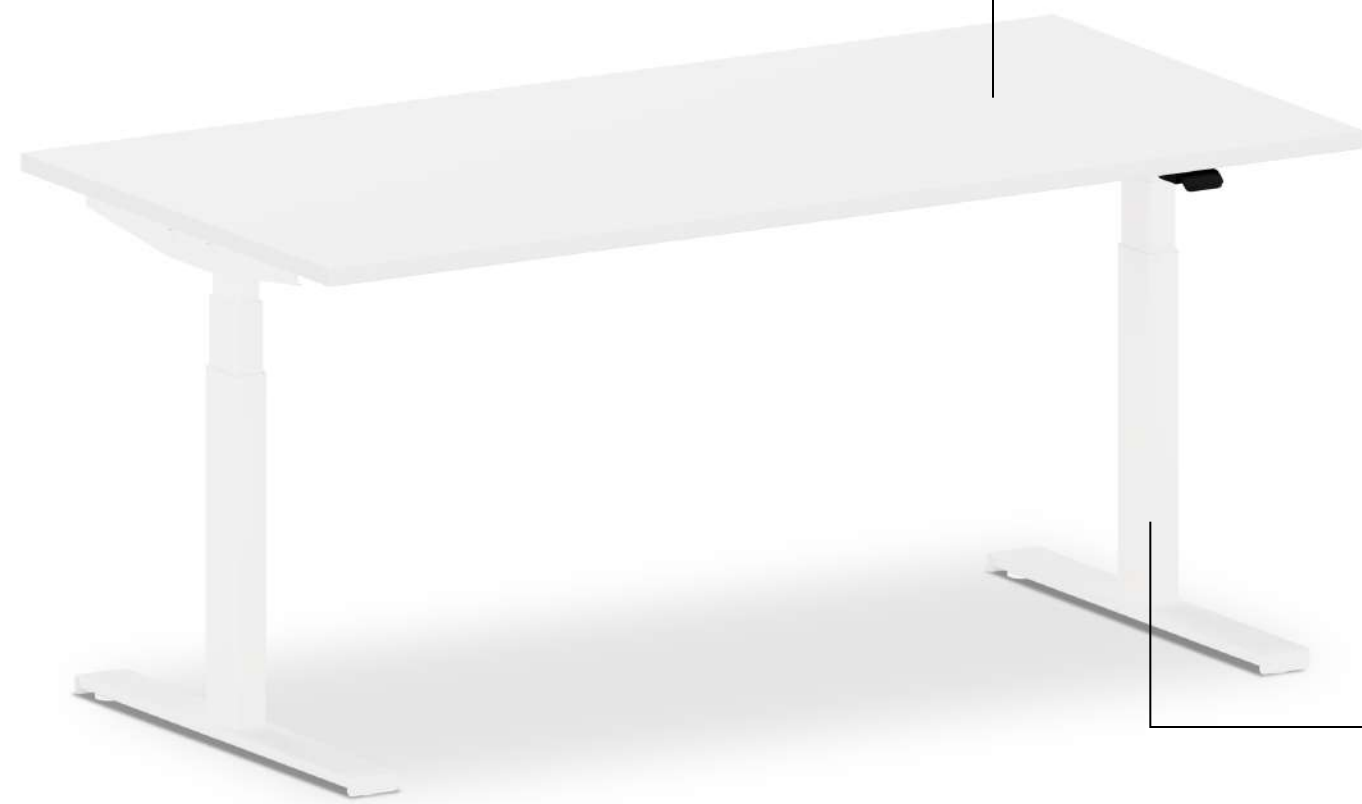


LS1

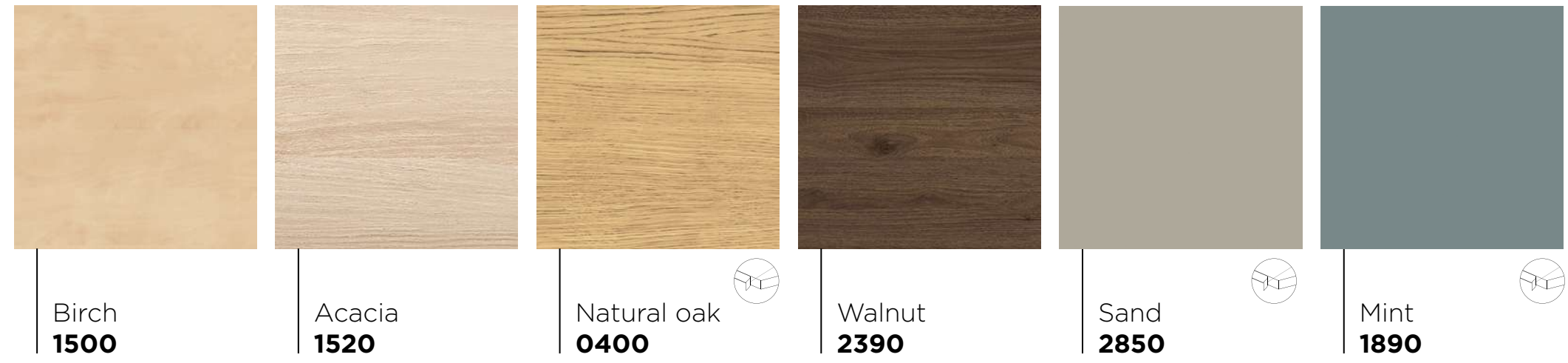


laser edges

FINISHING



MELAMINE BOARD



Birch
1500

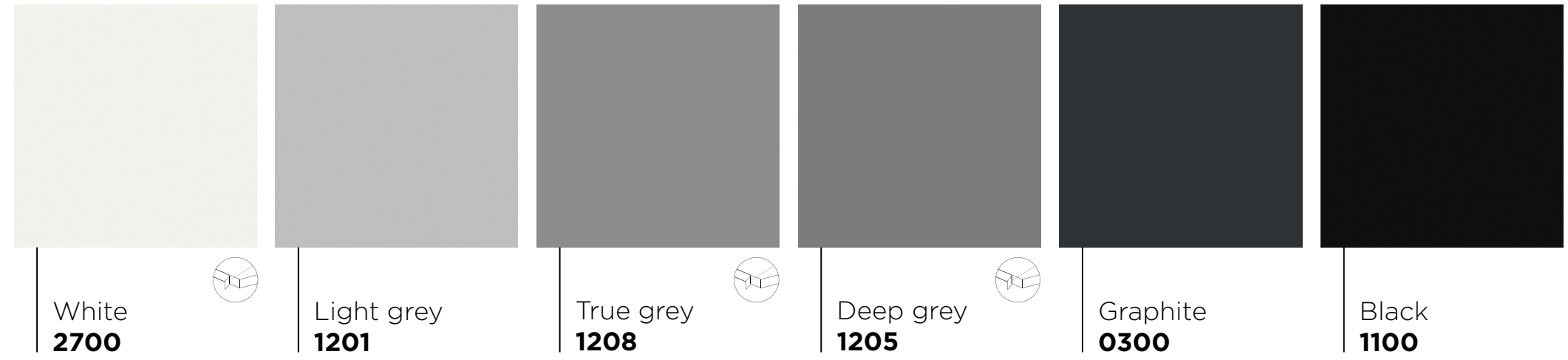
Acacia
1520

Natural oak
0400

Walnut
2390

Sand
2850

Mint
1890



White
2700

Light grey
1201

True grey
1208

Deep grey
1205

Graphite
0300

Black
1100

METAL FRAME



White
RAL 9016

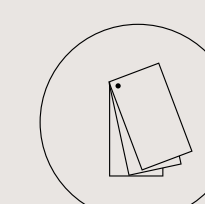
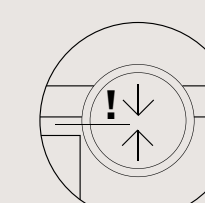
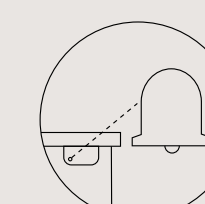
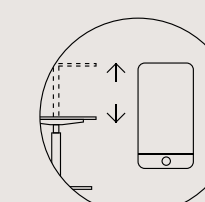
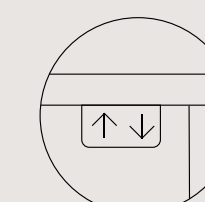
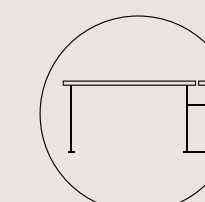
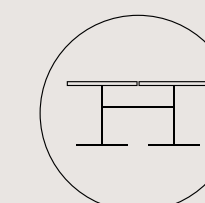
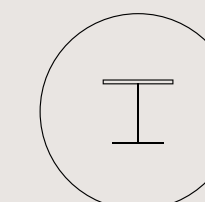
Glossy silver
RAL 9006

Black
RAL 9005



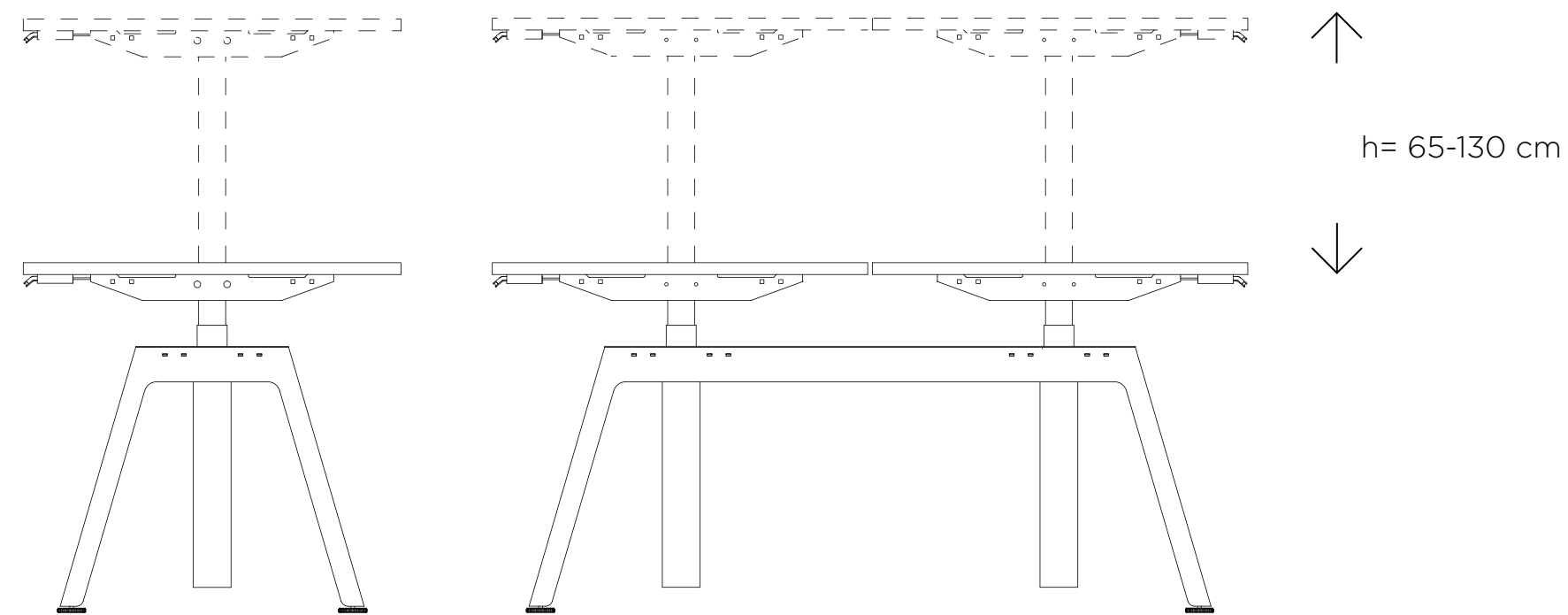
BALMA PLUS

Balma PLUS is a System that takes into consideration not only functionality, but also activity. We have created a line of desks which can be electrically adjusted. They can be operated directly from your computer or mobile device. Thanks to Desk Control App, your desk is not only going to remind you that you should change your body posture at given intervals, but it can also register the statistics of your activity.

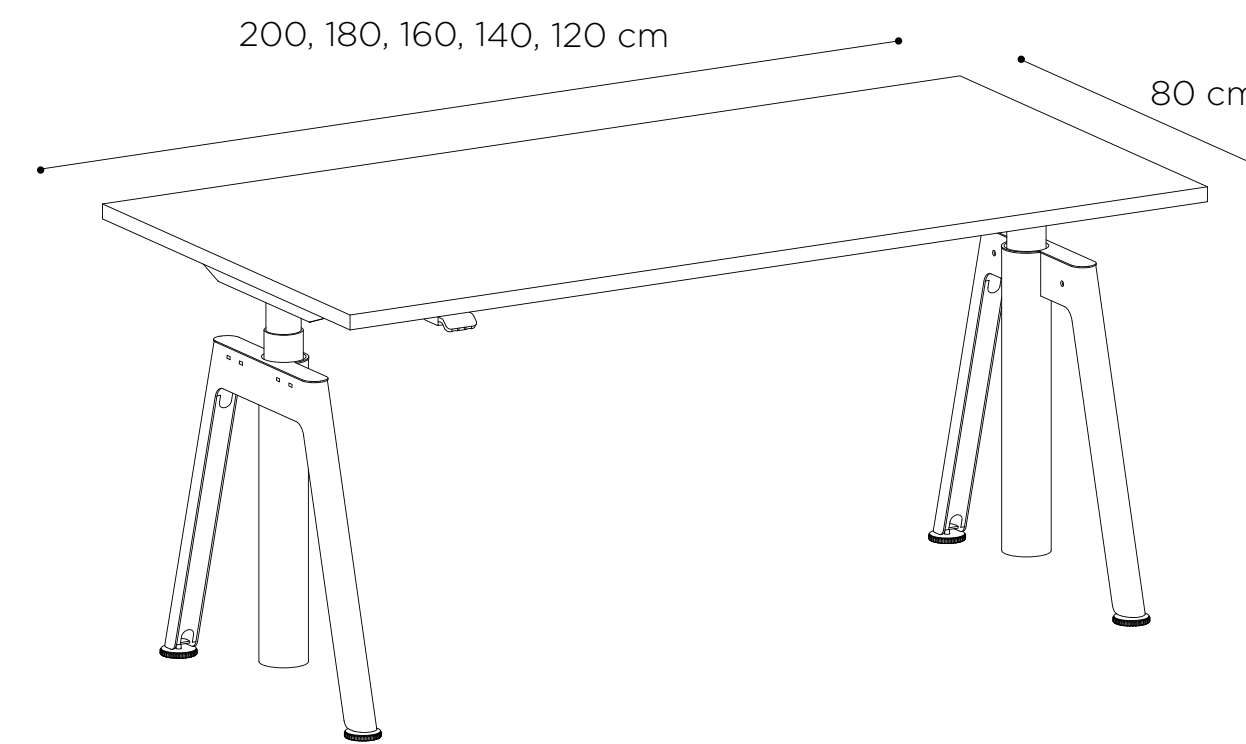


BALMA PLUS

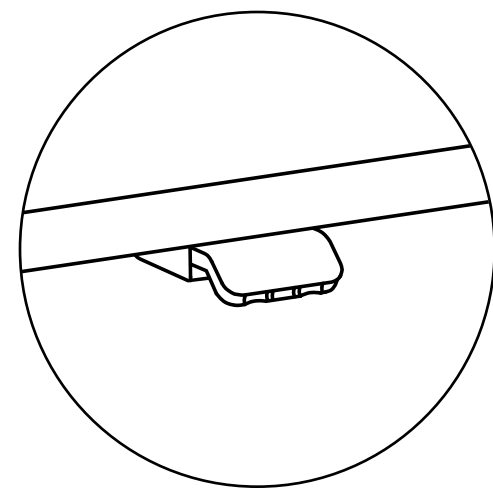
FRAME - lifting column



DESKTOP



REMOTE CONTROL



pilot DPG1M

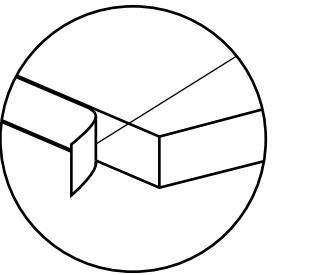
- 2 memories of favorite settings
- reminder to change position
- control via bluetooth using the app Desk Control

pilot DPG1C

- display
- 4 memories of favorite settings
- reminder to change position
- control via bluetooth using the app Desk Control



BALMA PLUS



laser edges

FINISHING



MELAMINE BOARD



Birch
1500

Acacia
1520

Natural oak
0400

Walnut
2390

Sand
2850

Mint
1890



White
2700

Light grey
1201

True grey
1208

Deep grey
1205

Graphite
0300

Black
1100

METAL FRAME



White
RAL 9016

Glossy silver
RAL 9006

Black
RAL 9005



White
RAL 9016

Glossy silver

Black
RAL 9005

Light grey

True grey

Deep grey
RAL 7037

Dark graphite
RAL 7021



Sand

Mint

Burgund
RAL 3005

Tropic
RAL 6004

Ocean
RAL 5003

Corten
RAL 8023

balma

FABRYKA MEBLI BALMA SA

UL. POZNAŃSKA 167
62-080 TARNOWO PODGÓRNE, POLSKA

T: +48 61 89 66 400

E: export@balma.pl

www.balma.pl